

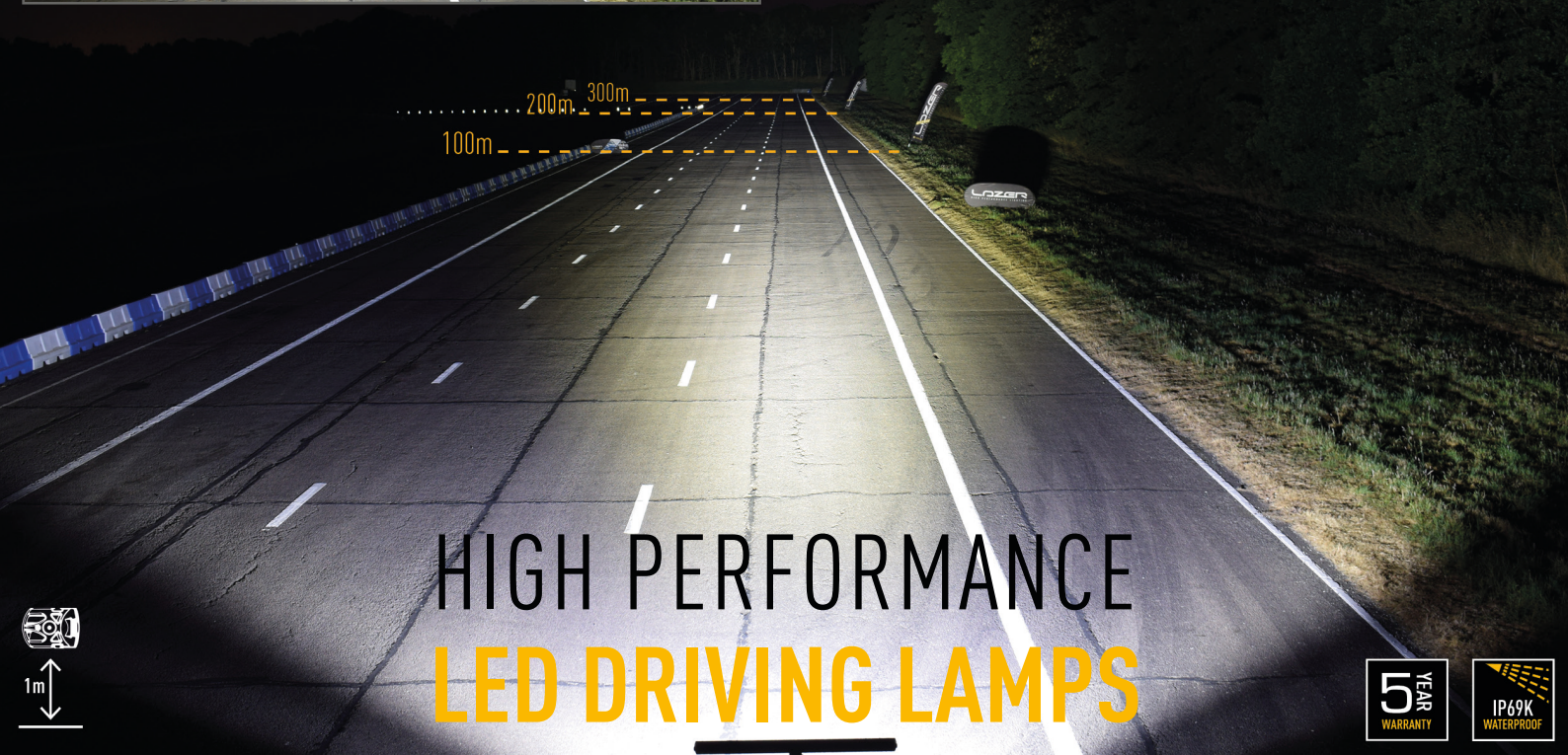
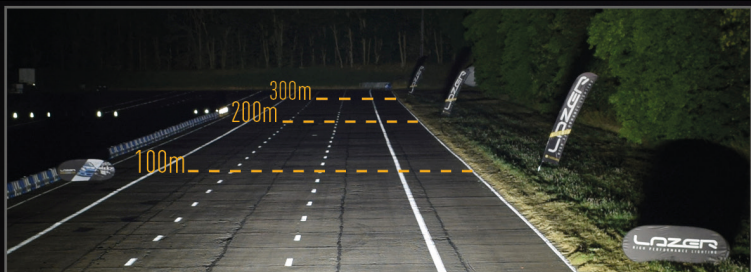
LAZER

HIGH PERFORMANCE LIGHTING

T28 Evolution



Our biggest unit in the updated T-range, the new T28 Evolution measures 46" in length and the performance more than matches its imposing size. With an unequalled all-round distribution of light, both in respect of long-range visibility combined with an incredible left/right spread, the T28 sets a new standard in off-road lighting that needs to be seen to be believed. When not in use, the lamp is no less eye-catching, with contemporary styling ensuring the lamp's design enhances the appearance of your vehicle.



HIGH PERFORMANCE
LED DRIVING LAMPS



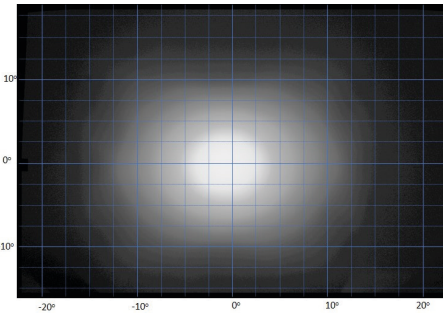
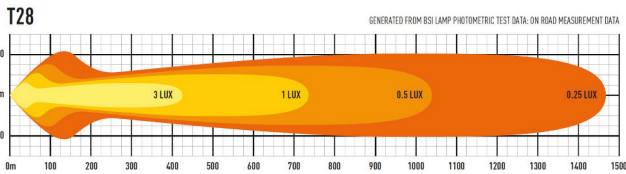
LAZER

HIGH PERFORMANCE LIGHTING

T28 EVOLUTION



- 28x high density 11W LEDs (premium 'bin')
- Seamless, low profile design facilitates installation
- Dynamic drive modulation optimises light output to maximise LED lifetime
- Ultra-reflective optics deliver 'Drive' beam pattern
- E-coat pre-treatment provides maximum corrosion resistance
- Lifetime guarantee on the 'Unbreakable' polycarbonate lens



Horizontal: 28°
Vertical: 24°
(2% of peak)

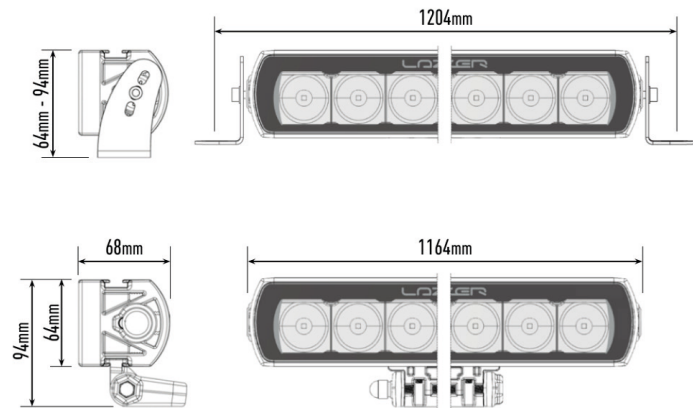


TECHNICAL SPECIFICATIONS

E-MARK REF	N/A
VOLTAGE RANGE	9V - 32V
RAW LUMENS	28952
BEAM PATTERN	Drive
BEAM DISTANCE (0.25LX)	1470m
# HIGH POWER LEDS	28
POWER CONSUMPTION	278 Watts
CURRENT DRAW [†]	19.3 Amps
LED LIFE	50,000 Hrs*
WEIGHT	3590g

* LED Manufacturers Specifications †At 14.4 Volts

MOUNTING OPTIONS:



LAZER LAMPS LTD

Units 1+2, Harlow Mill Business Centre, Riverway, Harlow, Essex. CM20 2FD. UK

Tel: +44(0)1992 677374

Email: sales@lazerlamps.com

www.lazerlamps.com

LAZER

HIGH PERFORMANCE LIGHTING

